



# FL23 – Asymmetric Flood Light

CONTENTS • Product Introduction • Installation • Applications

# TECHNICAL DATA

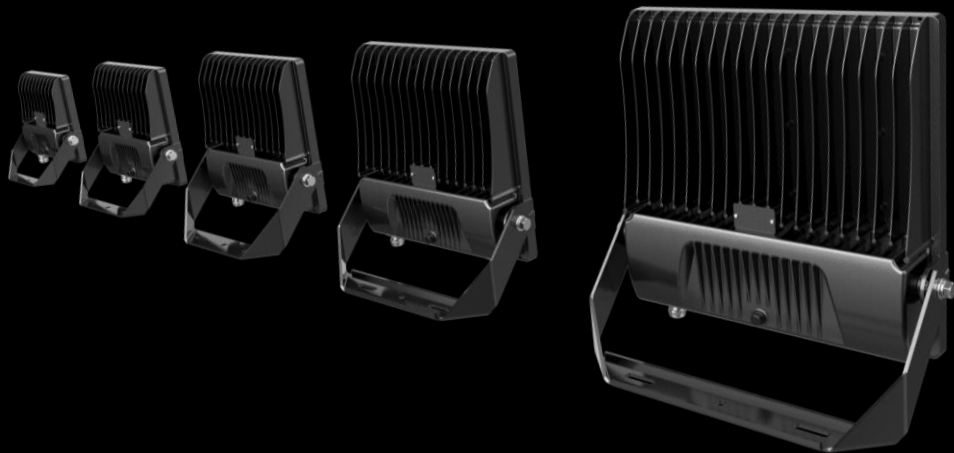
Part Number	EGE-FL050-FL23	EGE-FL100-FL23	EGE-FL150-FL23	EGE-FL200-FL23	EGE-FL300-FL23
Power	50W	100W	150W	200W	300W
LED chip	SMD2835				
Color	Black(RAL9017)				
Lumen efficiency	150(±5%) LM/W				
Lumen Luminous	7500LM	15000LM	22500LM	30000LM	45000LM
CCT/CRT	5000K Ra70(3000k,4000k 80Ra available)				
Optics	25° , 60° , 26*60° ,55*125° optional				
Input voltage	220~240VAC				
IP&IK	IP66, IK08				
Certificate	CE, SAA				
Weight	1.8±0.3Kg	2.8±0.3Kg	3.9±0.3Kg	5.3±0.3Kg	5.3±0.3Kg

# PRODUCT PICTURE

---

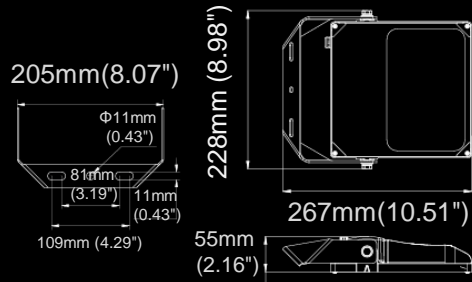


50W / 100W / 150W / 200W / 300W

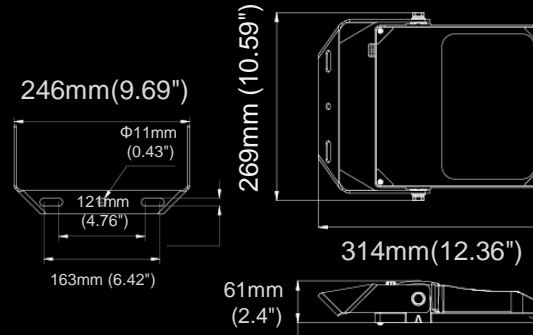


# PRODUCT DIMENSION

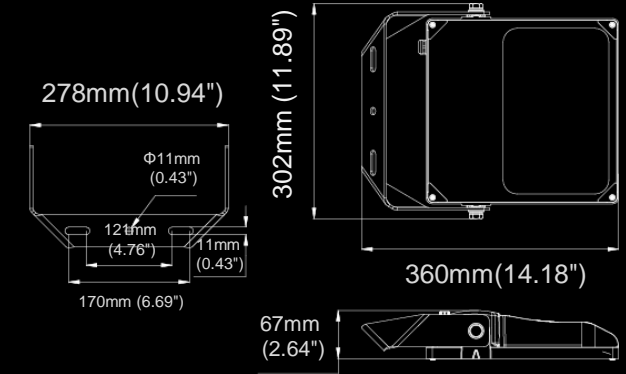
## 50W



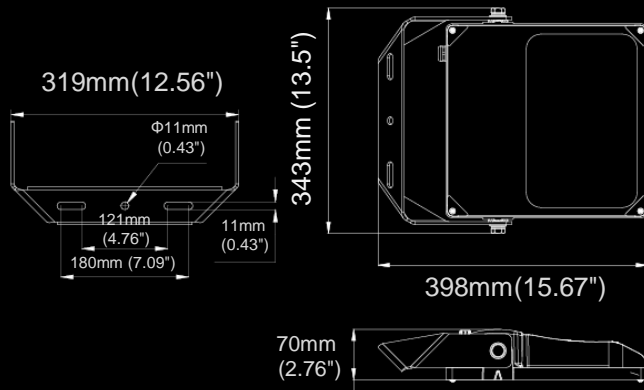
## 100W



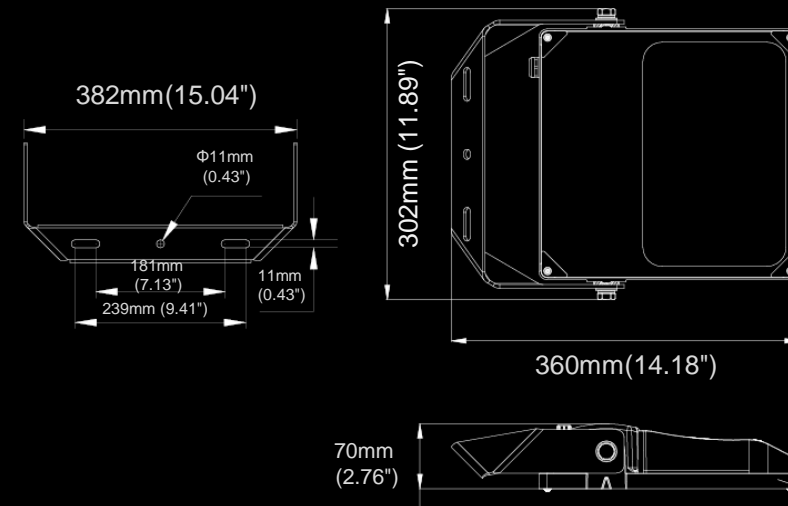
## 150W



## 200W



## 300W



# FEATURES

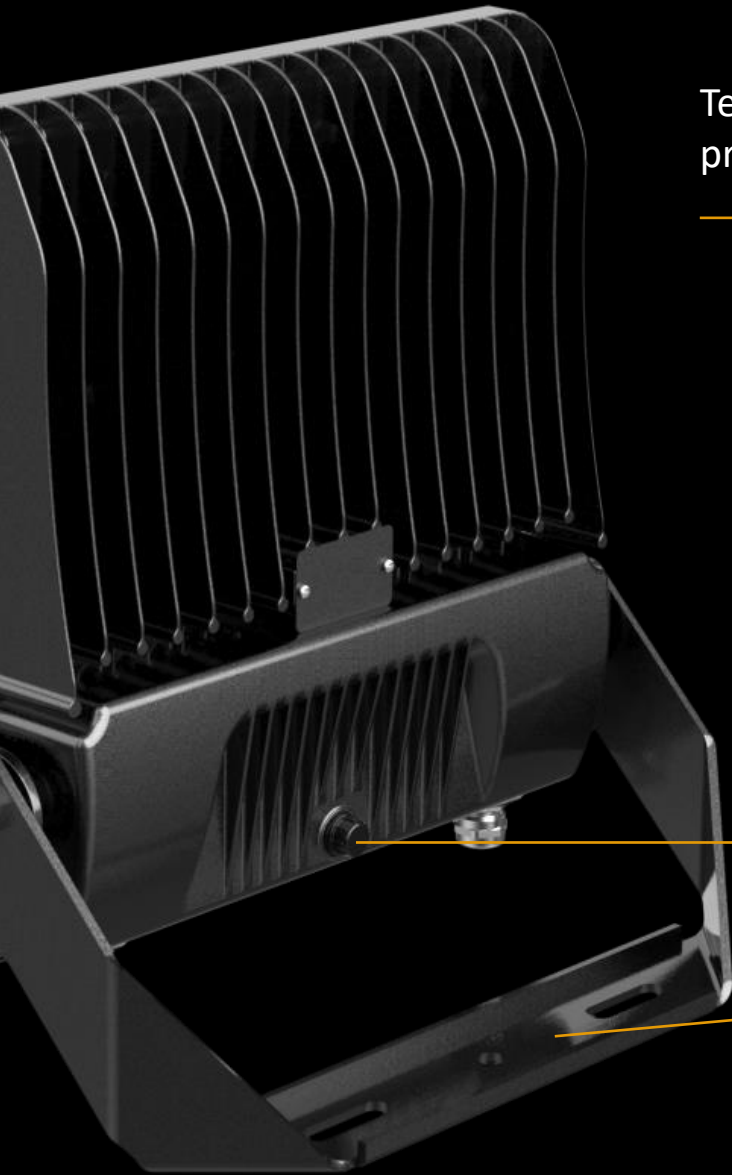
---

Full completed lens,  
less screw, more elegant.

Tempered glass cover at the top  
prevents the lens from yellowing.

daylight sensor is optional

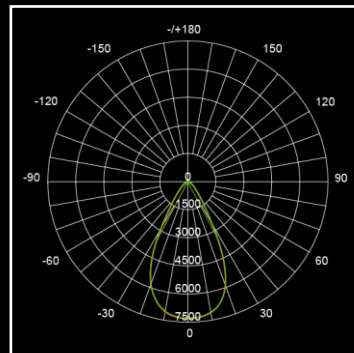
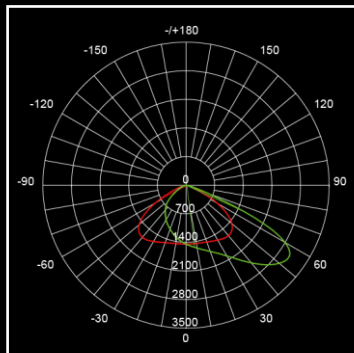
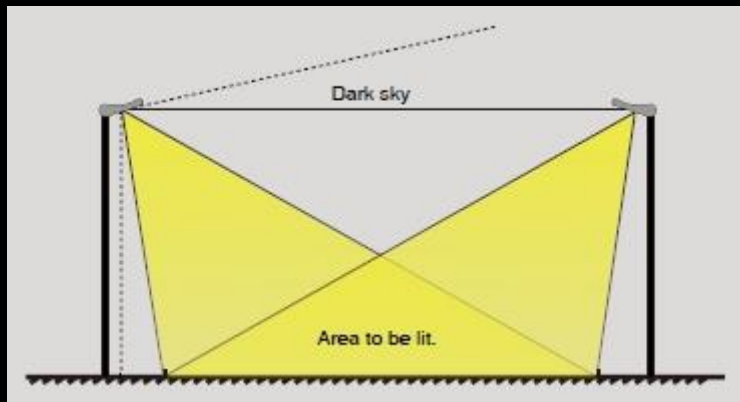
Bent bracket for easy and quick installation.



# OPTICS

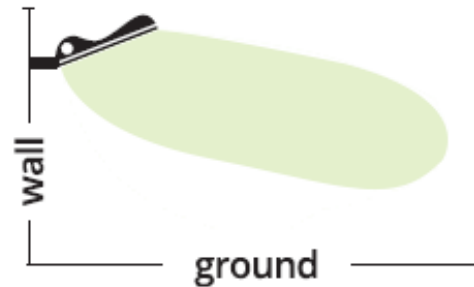
The Asymmetrical lighting distribution improve the lighting utilization and avoid the light pollution, as its forward throw light reduce glare and increase uniformity a lot.

Less light pollution



EGE Flood light

Tilted upwards by 20°

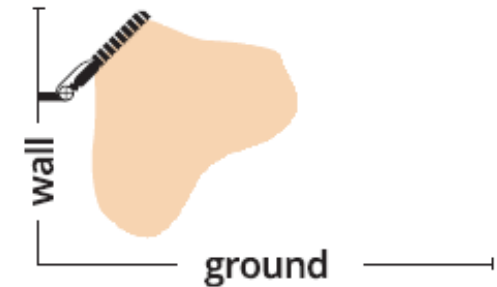


LESS LIGHT SPILLAGE

30% BETTER LIGHT UNIFORMITY

Other common flood light

Tilted upwards by 45°

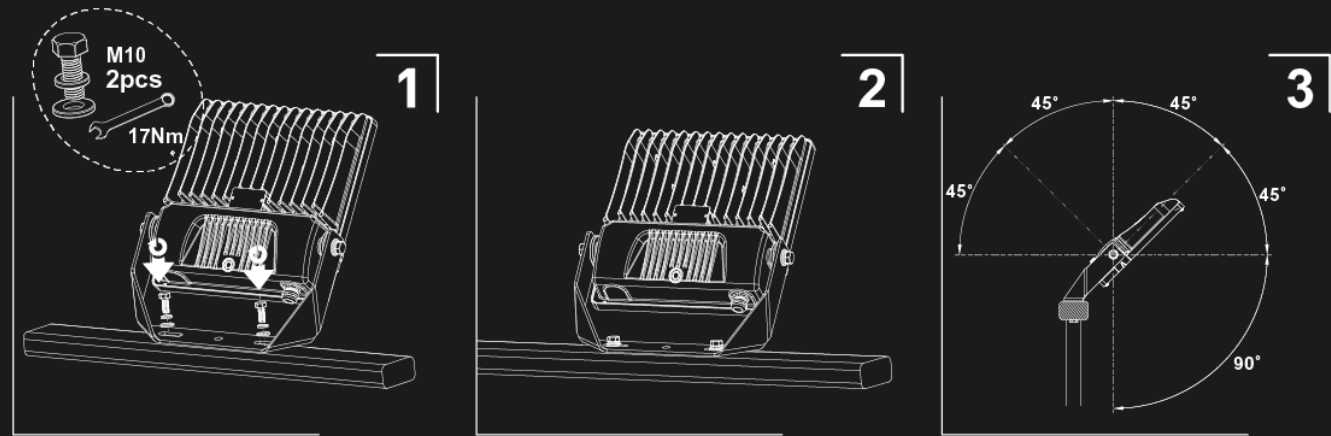


3X MORE GLARE

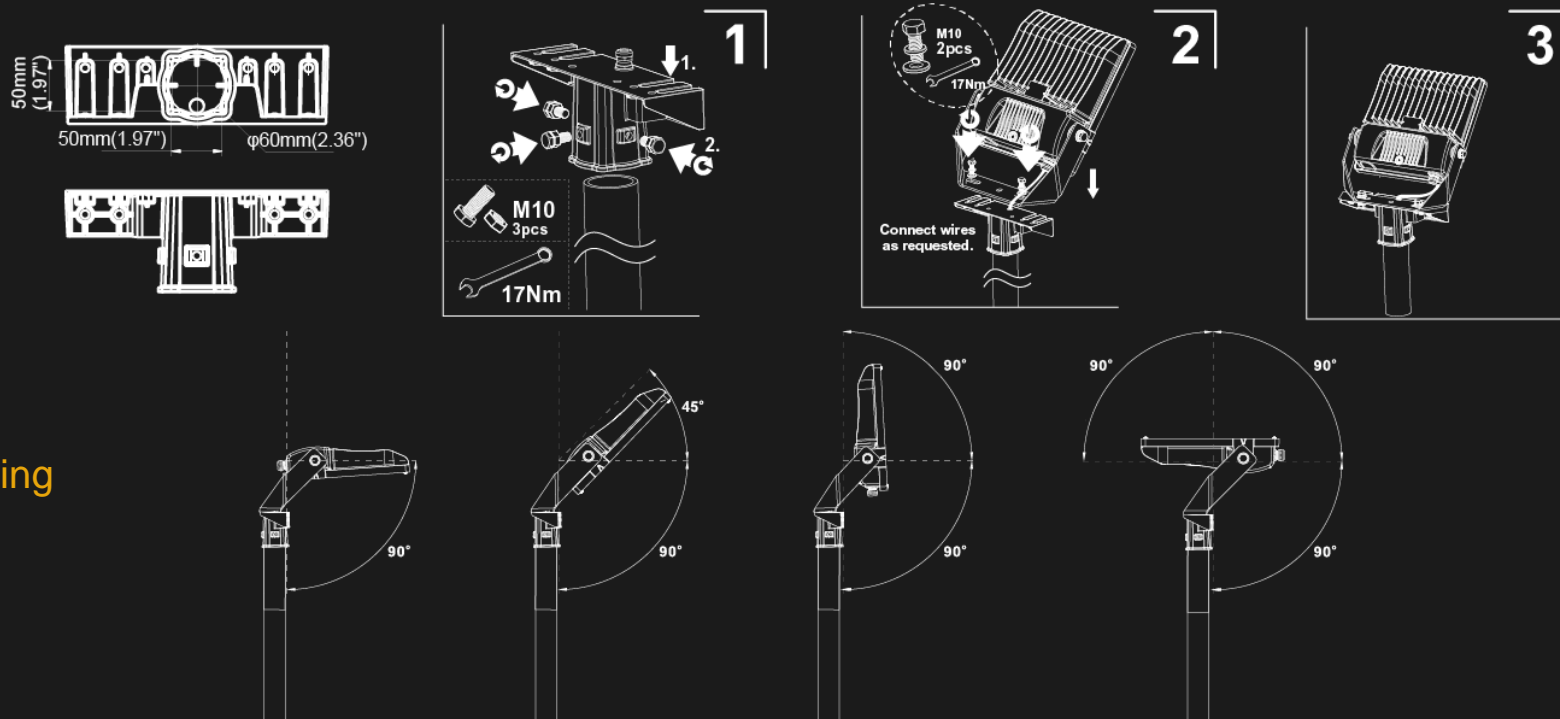
UP TO 10% MORE LIGHT POLLUTION

# INSTALLATION

## U Bracket Mounting

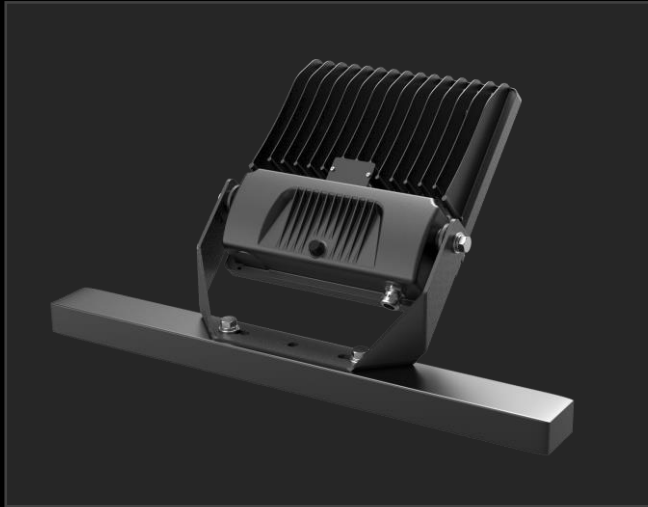


## Pole Mounting



# MOUNTING OPTIONS

---



U Bracket Mounting



Pole Mounting



Clamp bracket



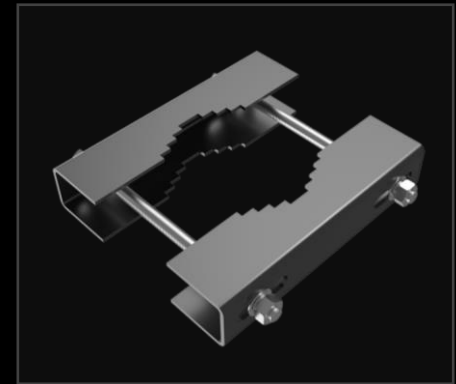
42mm pole mount adaptor



60mm pole mount adaptor



76mm pole mount adaptor



Clamp bracket